



DrB

**Bahnsen
Types HR and LR
Centrifugal
Humidifiers**

High Capacity
for Industrial
humidification

Catalog RA-1

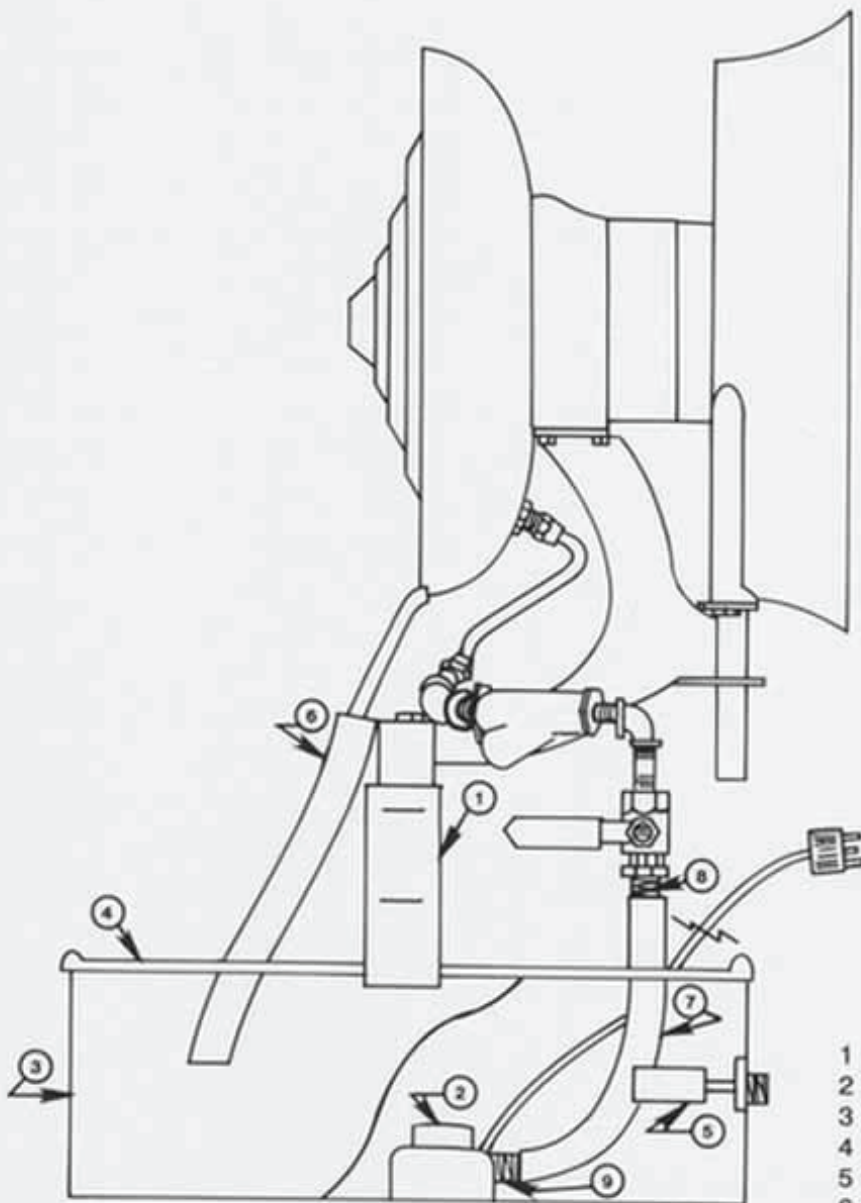
The Industry Standard . . .



The Bahnsen Recirculating Humidifier

After over 50 years of setting the standards for all types of humidification DnB Humidifiers, manufacturers of the Bahnsen humidifiers, offer you a way to conserve one of our most precious resources . . . water. The Bahnsen Recirculating Humidifier with holding tank conserves water most efficiently. Thanks to 100% corrosion free materials such as brass, copper and stainless steel, the Bahnsen Recirculating Humidifier is virtually maintenance free. So for water conservation, ease of installation and low maintenance go with Bahnsen.

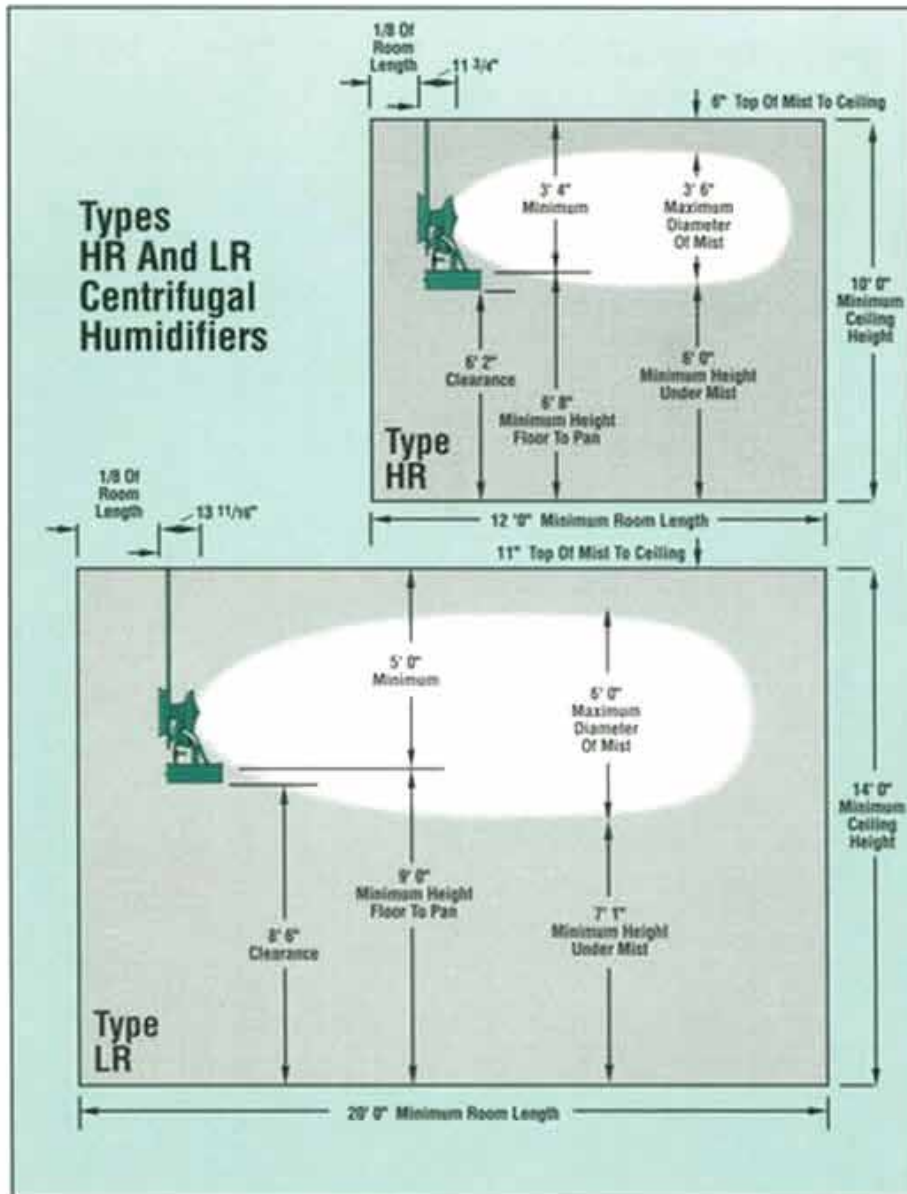
Bahnsen . . . The Industry Standard For Over 50 Years!



- 1 40216 HANGING BRACKET
- 2 40217 PUMP TEEL 115V/220V
- 3 40218 RESERVOIR
- 4 40219 LID
- 5 26561 FLOAT VALVE #RM-292-1
- 6 40222 PLASTIC TUBING 3/4"
- 7 40221 PLASTIC TUBING 3/8"
- 8 40223 HOSE BARB 3/8" X 3/8" MALE
- 9 40224 HOSE BARB 1/4" X 3/8" FEMALE

NOTE: BEND FLOAT ARM TO ACHIEVE DESIRED WATER LEVEL.
 PUMP WILL OPERATE LAYING ON ITS SIDE.
 SEE PUMP INSTRUCTIONS ENCLOSED

RESERVOIR ASSY. 40215A



Specifications

	Type HR	Type LR
Evaporation	Up to 8 gal. per hour	Up to 12 gal. per hour
Motor (3450 rpm @ 60hz)	1/4 hp totally enclosed, with sealed, permanently lubricated ball bearings	3/4 hp, totally enclosed, with sealed, permanently lubricated bearings
Power Requirements	115 or 230v. 60hz	208, 230, 460v. 60hz
	110 or 220v. 50hz	190, 208, 220, 380, 415 or 440v. 50hz
Weight	57 lb. Net 85 lb. Domestic Shipping	73 lb. Net 108 lb. Domestic Shipping
Application	Textile Mills, Tobacco, Paper Converting, Printing, Woodworking, Food Processing and Poultry	
Options	Master "B" Controls	

DnB

DnB Humidifier Mfg., Inc.
 175 Dixie Club Road
 Winston-Salem, NC 27107-9806
 Phone 336-764-2076
 Fax 336-764-4277

Specifications subject to change. No statement contained herein shall constitute or be construed to constitute a warranty, expressed or implied, with respect to the products described.